

Freestanding Wood Heaters CONVECTION RANGE

INSIST ON A JARRAHDALÉ

- Australian made and owned since 1981
- Heavy duty, all solid-steel construction
- Advanced-burn Firebox for excellent heat output with lower emissions
- 10-year, manufacturer direct warranty
- Built to comply with Australian Standards



*Australia's Natural Choice
in Home Heating*



Convection Wood Heaters

Convection Wood Heaters create heat by circulating warm air around the room. As warm air rises from the firebox, cooler air is drawn-in. This in turn is warmed by the stove and rises to follow in a continuous cycle. A Convection Wood Heater provides evenly distributed, comfortable warmth throughout the home.

RHAPSODY



Dimensions (mm): 610 W x 695 H x 530 D
Heating Area: Up to 185sq/m*
Firebox Capacity: Logs up to 450mm
Weight: 129kg

The Rhapsody is a compact wood heater designed to provide ample warmth in small to medium sized houses, ranging up to a large 3 bedroom, or small four bedroom home. It is available with an optional two-speed fan, used to push warm air around the home more quickly. The Rhapsody is also available as a built-in heater, for installation into a fireplace opening.

CONVECTOR



Dimensions (mm): 700 W x 805 H x 540 D
Heating Area: Up to 232sq/m*
Firebox Capacity: Logs up to 580mm
Weight: 113kg
Distinction: Pedestal style with side heat-shields

The Convector Wood Heater features a 320mm high pedestal to elevate the firebox from the floor, making it an attractive, standout feature of any room. Thoughtfully designed, the Convector is encased with side heat-shields for added protection and features a large door opening to cater for bigger logs, ensuring your home is always warm and cosy.

The Convector is available with an optional two-speed fan, used to push warm air around the home more quickly.

The Convector can also be custom-made with four steel legs, instead of a pedestal, so that it is in-keeping with the style of character homes.

INNOVATOR



Dimensions (mm): 730 W x 695 H x 530 D
Heating Area: Up to 232sq/m*
Firebox Capacity: Logs up to 580mm
Weight: 152kg
Distinction: Grand style with wide glass door

Recipient of an Australian Design Award for Innovation and Design, the Innovator is arguably our most impressive and popular wood heater thanks to its striking appearance. It features a wide, rectangular firebox to enhance its presence in any room and a large glass door, offering entrancing views of the roaring fire. Heating up to 232sq/m it is the perfect wood heater for a medium-sized family home.

Also available as a built-in wood heater, for installation into a fireplace opening.

JUMBO INNOVATOR



Dimensions (mm): 730 W x 695 H x 650 D
Heating Area: Up to 280sq/m*
Firebox Capacity: Logs up to 580mm
Weight: 175kg
Distinction: Large Heating Area

The Jumbo Innovator is our largest convection wood heater, promising to keep you warm and cosy even in large, open areas. With a deeper firebox than other models, the Jumbo Innovator can accommodate a larger volume of logs, for longer lasting heat. It features a grand design with a wide, rectangular firebox and large glass door, offering entrancing views of the roaring fire.



NEW! COUNTRYMAN



Dimensions (mm): 815 W x 860 H x 500 D
Heating Area: 300sq/m
Firebox Capacity: Logs up to 630mm
Weight: 220kg
Distinction: Large glass-panel door & 2-speed fan

The Countryman fan-forced is an impressive wood heater offering a longer burn time and superior heat output thanks to its over-sized firebox, designed to fit larger logs.

The fascia has been designed to include an extended glass viewing pane for inviting views of the fire.

The Countryman is the perfect wood heater for a large residence, open-plan living areas and homes featuring high ceilings or a mezzanine floor.

NEW! CLYDESDALE



Dimensions (mm): 915 W x 860 H x 500 D
Heating Area: 350sq/m
Firebox Capacity: Logs up to 730mm
Weight: 260kg
Distinction: Large glass-panel door & 2-speed fan

The Clydesdale is our latest and greatest wood heater, unrivalled for burn time and heat output. Designed with large residences and large, open-plan living areas in mind, this grand heater can warm areas up to 350 sq/m with long lasting, permeating heat. The Clydesdale is also aesthetically pleasing, featuring a modern, linear design and wide glass viewing pane. The Clydesdale promises to keep you toasty warm while being a standout feature of your home.

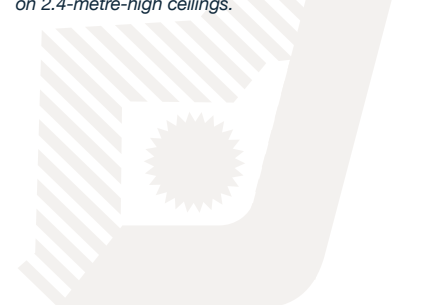
Optional Extras

- 2-speed fan
- Chrome plated door
- Left-hand door opening

Accessories

- Drop box
- Floor hearth
- Tool kit
- Flue mesh
- Flue guard
- Wood storage unit
- Child safety fence

*The heating area published is an approximate, designed to serve as a guide only and is based on 2.4-metre-high ceilings.





SURFACE FINISHES



STANDARD INSTALLATION REQUIREMENTS Rhapsody, Convector, Innovator & Jumbo

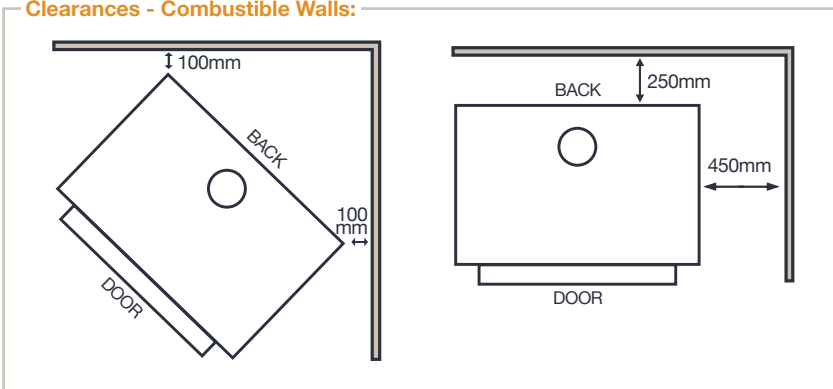
The diagrams below illustrate the minimum clearances required for installation next to combustible walls. When wall materials are combustible, such as timber, a half-round Safety Flue Guard with a minimum height of 1000mm is required.

A wood heater may be installed closer than shown if wall materials are not considered combustible, such as brick or plaster, or if the wall is protected by an additional shield. Please consult with your Jarrahdale Heating sales representative for further advice.

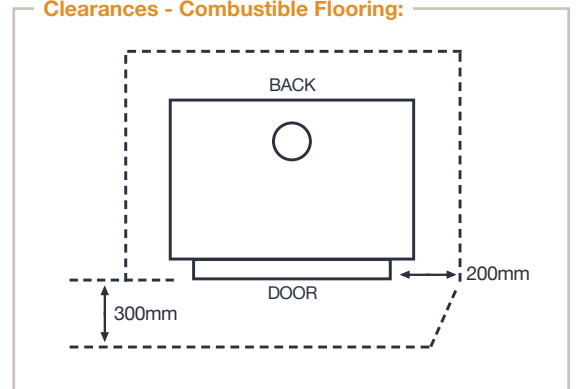
If the wood heater is to be installed onto combustible flooring such as carpet, vinyl or cork, a hearth is required with a clearance of 300mm at the front and 200mm either side of the wood heater door.

RHAPSODY, CONVECTOR, INNOVATOR & JUMBO

Clearances - Combustible Walls:



Clearances - Combustible Flooring:



STANDARD INSTALLATION REQUIREMENTS

Countryman & Clydesdale

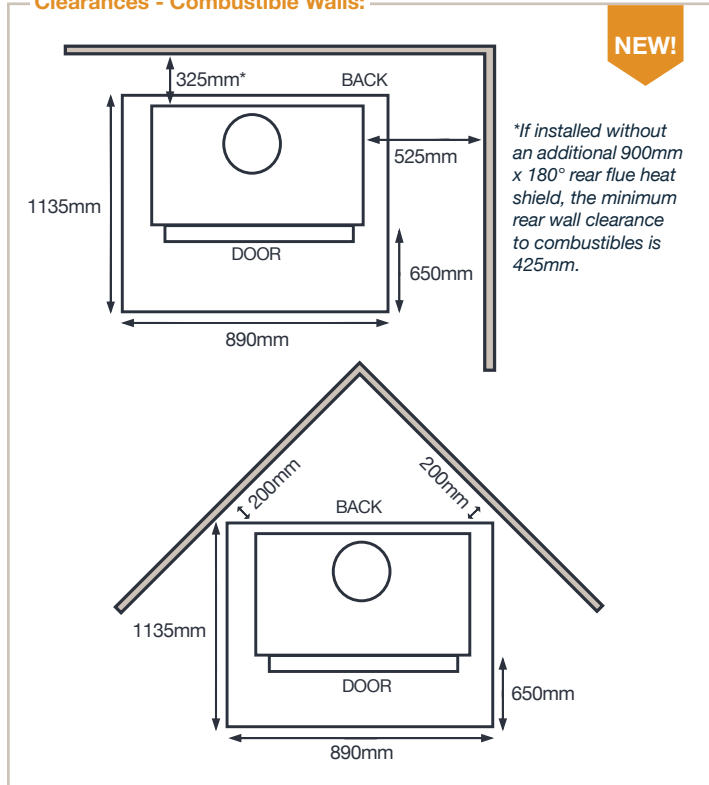
The diagrams below illustrate the minimum clearances required for installation of the Countryman and Clydesdale next to combustible walls, and on combustible flooring.

When wall materials are combustible, such as timber, a half-round Safety Flue Guard with a minimum height of 1000mm is required. Your wood heater may be installed closer than shown if wall materials are not considered combustible, such as brick or plaster, or if the wall is protected by an additional shield. Please consult with your Jarrahdale Heating sales representative for further advice.

If the wood heater is to be installed onto combustible flooring such as carpet, vinyl or cork, a hearth is required with a front clearance of 650mm for the Countryman and 700mm for the Clydesdale, as shown.

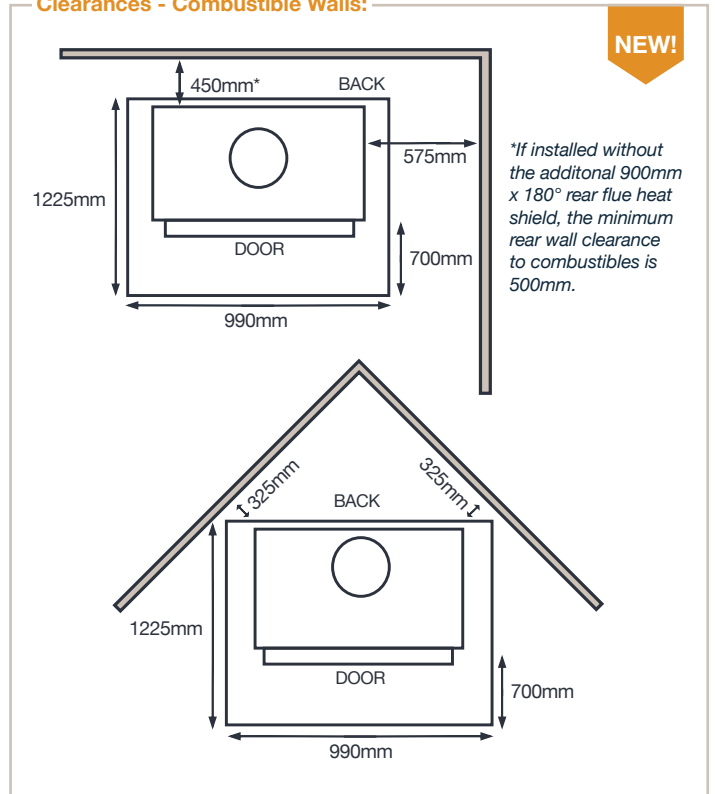
COUNTRYMAN

Clearances - Combustible Walls:

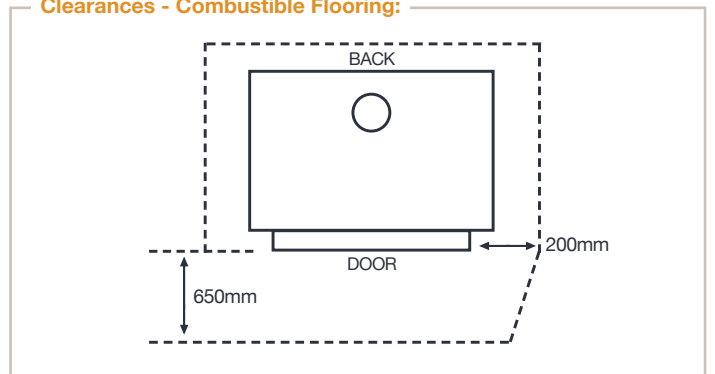


CLYDESDALE

Clearances - Combustible Walls:

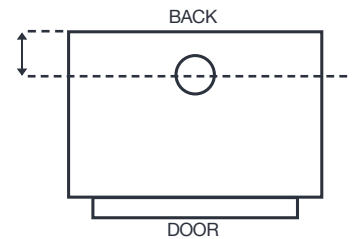


Clearances - Combustible Flooring:




FLUE CENTRES

Flue centre measurements shown in the table below are measured from the back of the wood heater, as shown in the diagram to the right. Please consult with your Jarrahdale Heating sales representative for further advice.



MODEL	RHAPSODY	CONVECTOR	INNOVATOR	JUMBO INNOVATOR	COUNTRYMAN	CLYDESDALE
FLUE CENTRE	170mm	170mm	170mm	190mm	170mm	170mm
DIAMETER	150mm	150mm	150mm	150mm	150mm	195mm





The Jarrahdale Difference

There is nothing quite like a roaring fire. Slow Combustion Wood Heaters leave your entire home warm and cosy and are cost efficient to run. That's why Jarrahdale Wood Heaters have been a leading choice in home heating since 1981.

Jarrahdales' complete range of premium wood heaters are manufactured at a purpose-built manufacturing facility in Maddington, Western Australia and comply with strict Australian Standards. Each heater is made from locally sourced, 6mm and 8mm solid steel and is constructed using state-of-the-art plasma and laser cutting technologies. Jarrahdale Heating even weld, fit and heat-paint each wood heater to guarantee product quality, strength and durability.

Jarrahdale Heating are proud members of the Australian Home Heating Association (AHHA), the peak industry governing body for the manufacture of wood heaters in Australia. As such, Jarrahdale work closely with the AHHA to ensure each wood heater is compliant with industry best practices.

As a result, every Jarrahdale Wood Heater is backed by a competitive 10-year structural warranty; a seal of quality assurance.

AVAILABLE FACTORY-DIRECT & AUSTRALIA-WIDE THROUGH A CERTIFIED DISTRIBUTOR



SHOWROOM: 17 Malcolm Rd, Maddington WA
Phone: **08 9493 6512** | Online: www.jhc.com.au

Jarrahdale Heating reserves the right to alter designs and specifications due to on-going product improvements

Certified Dealer: